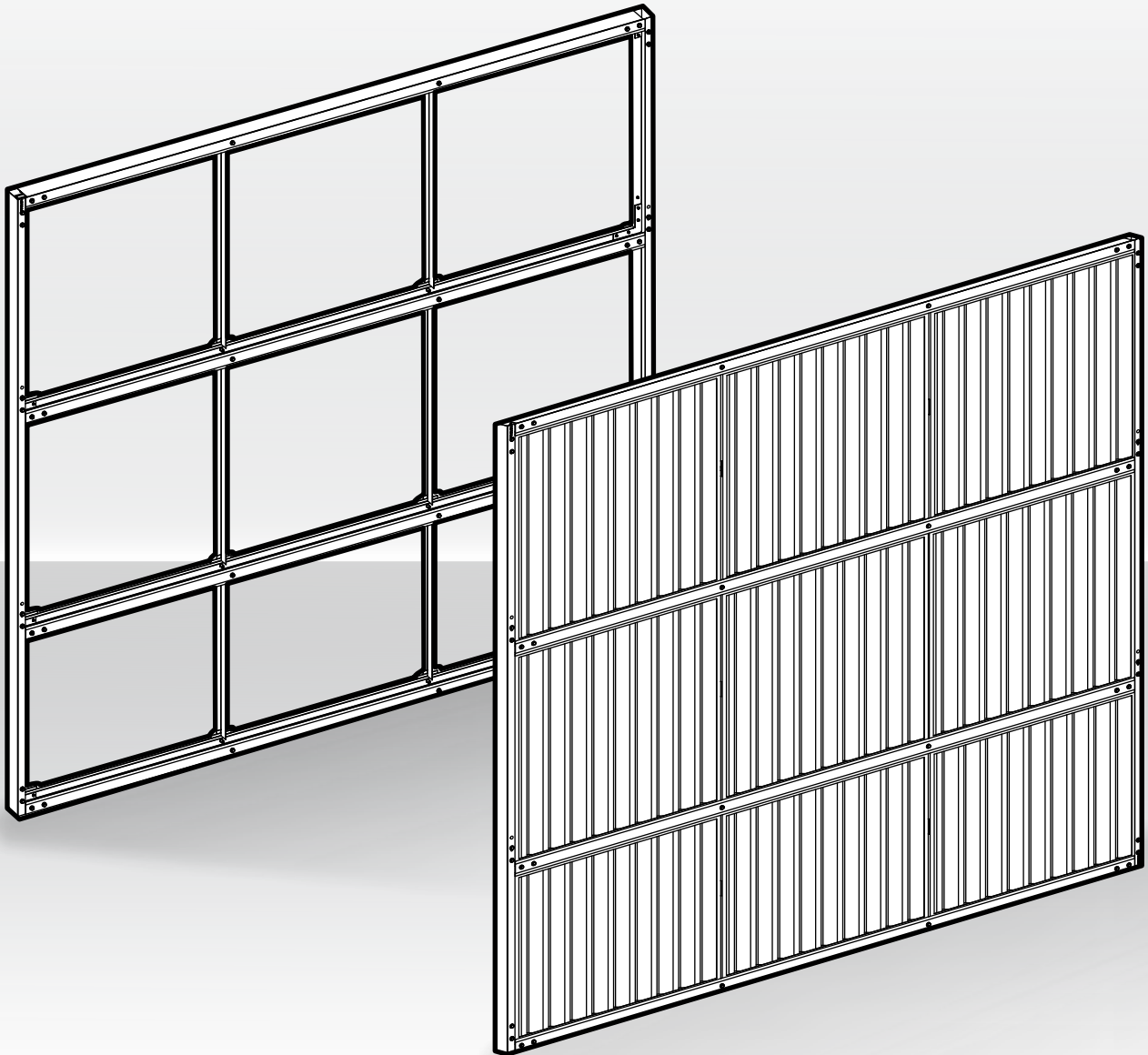
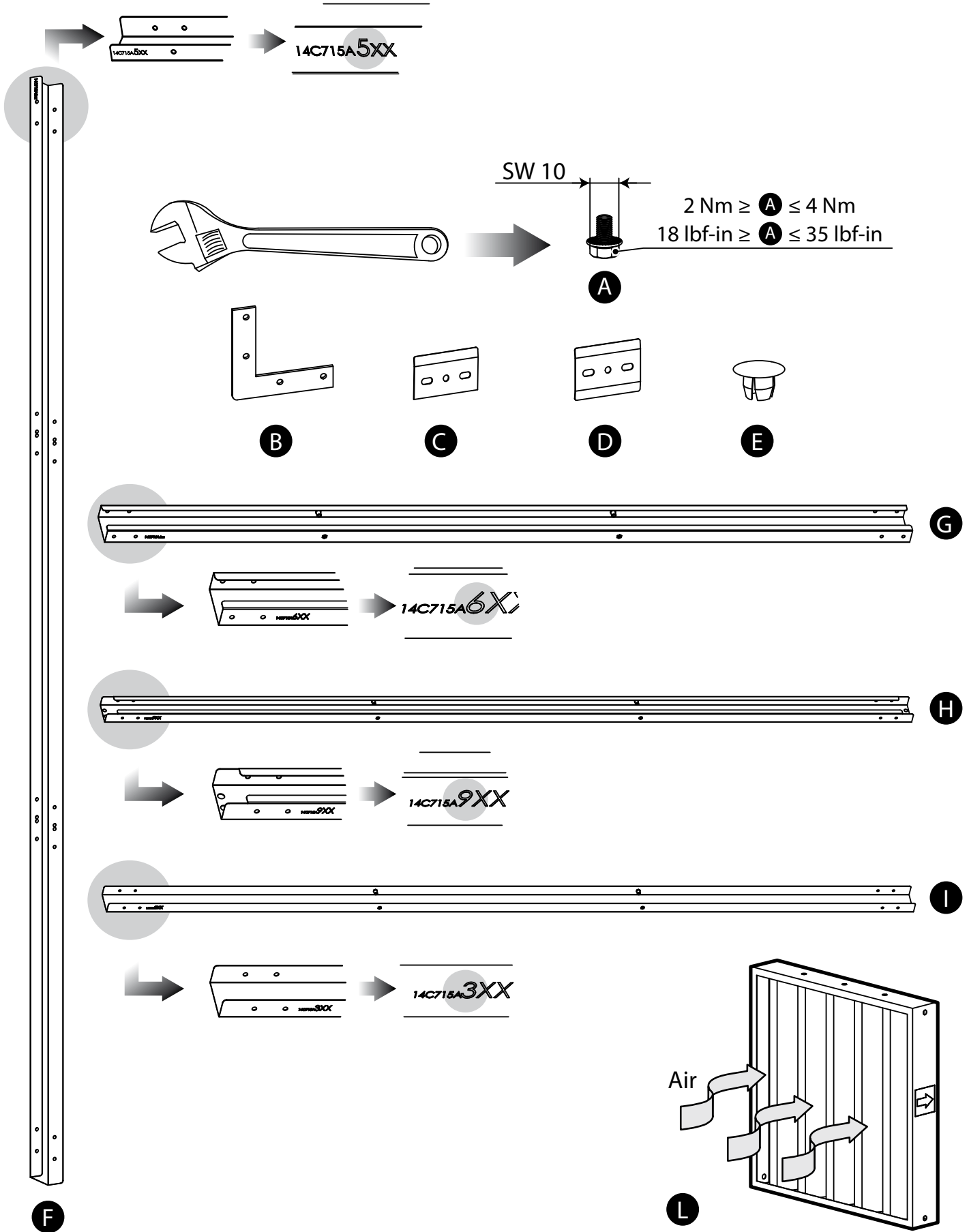
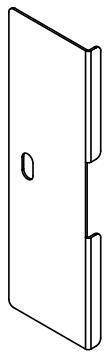


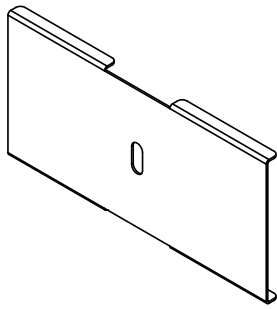
Separatore di gocce
Droplet separator



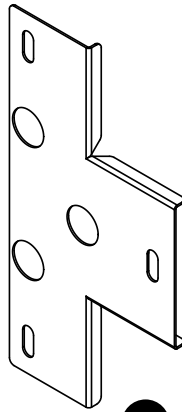




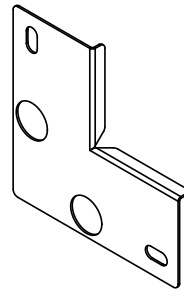
M



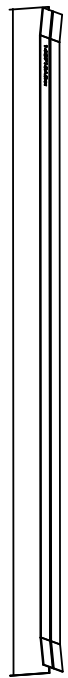
N



O

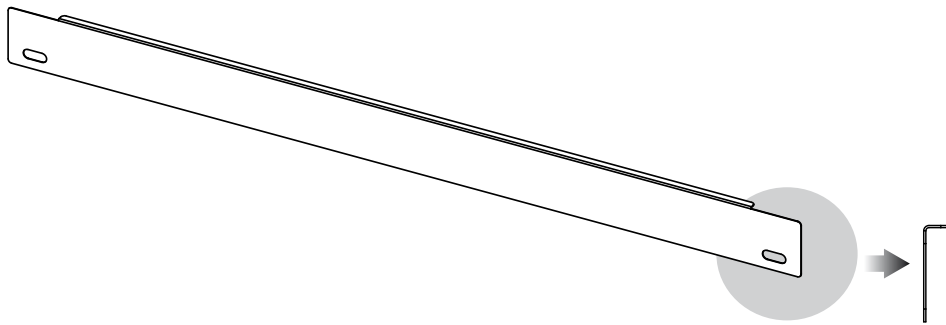


P

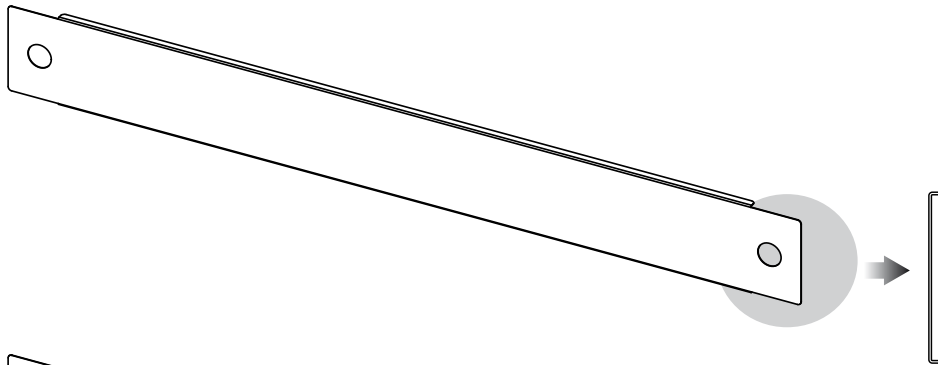


J

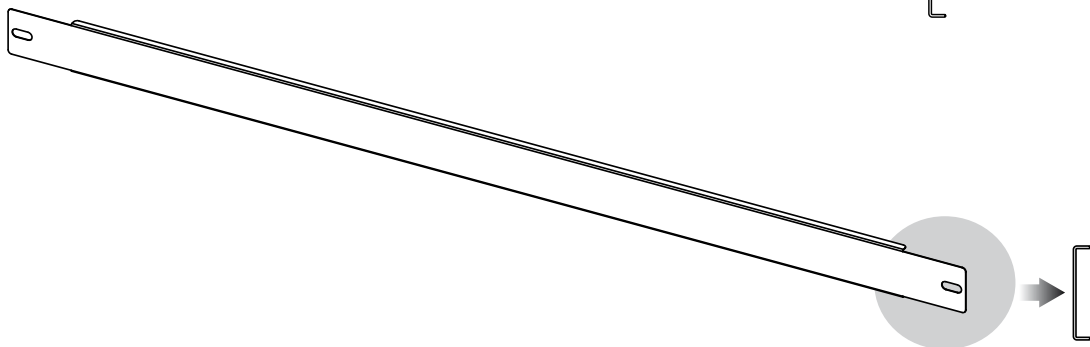
Q

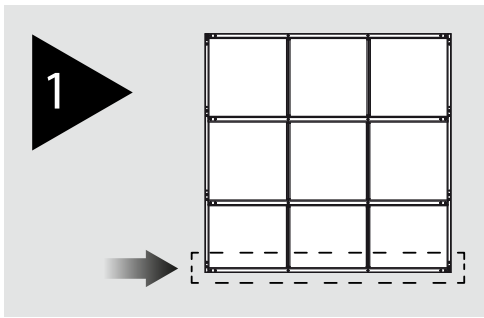


R

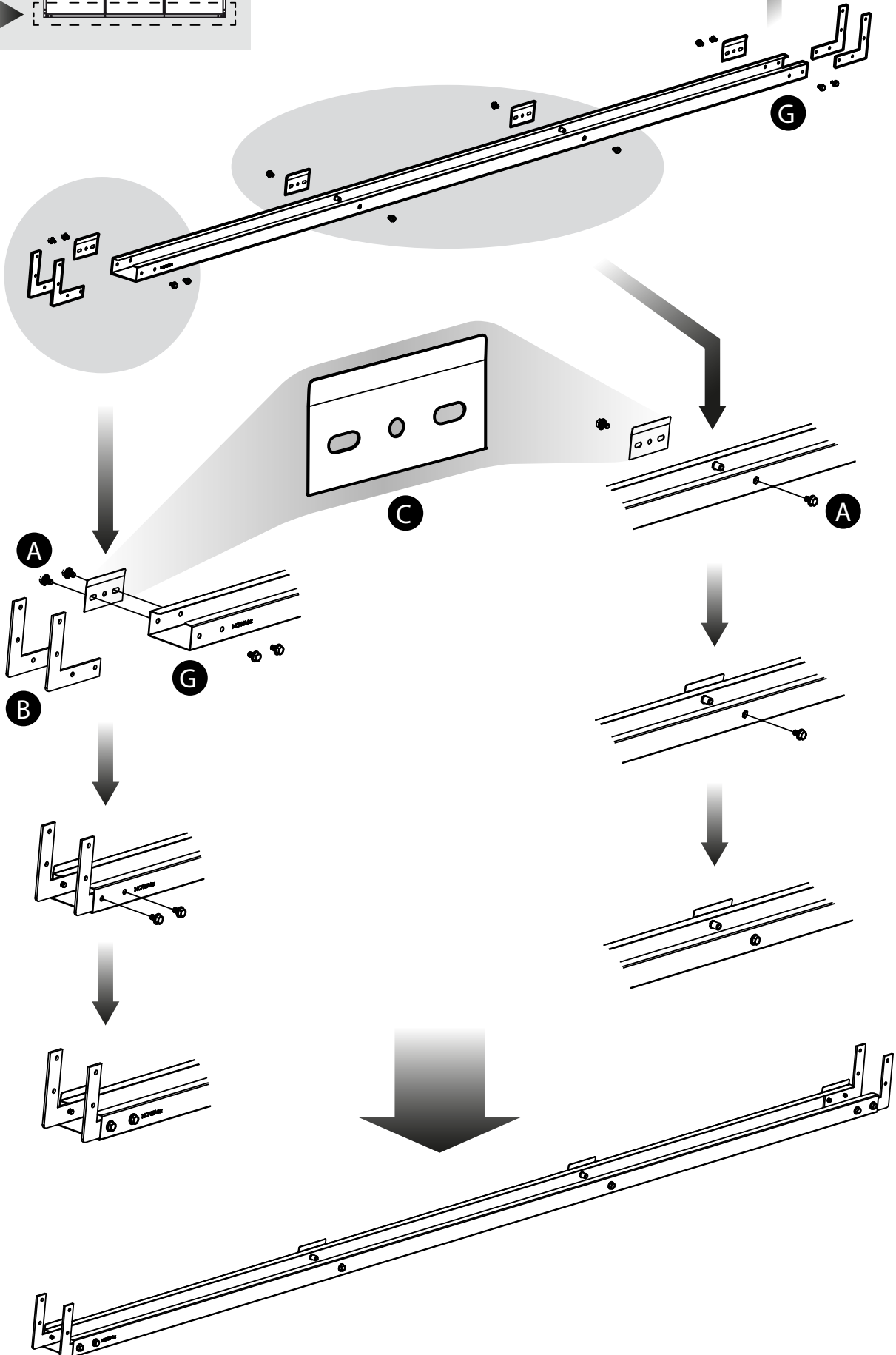


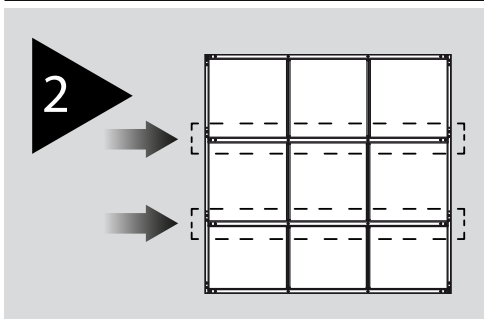
S



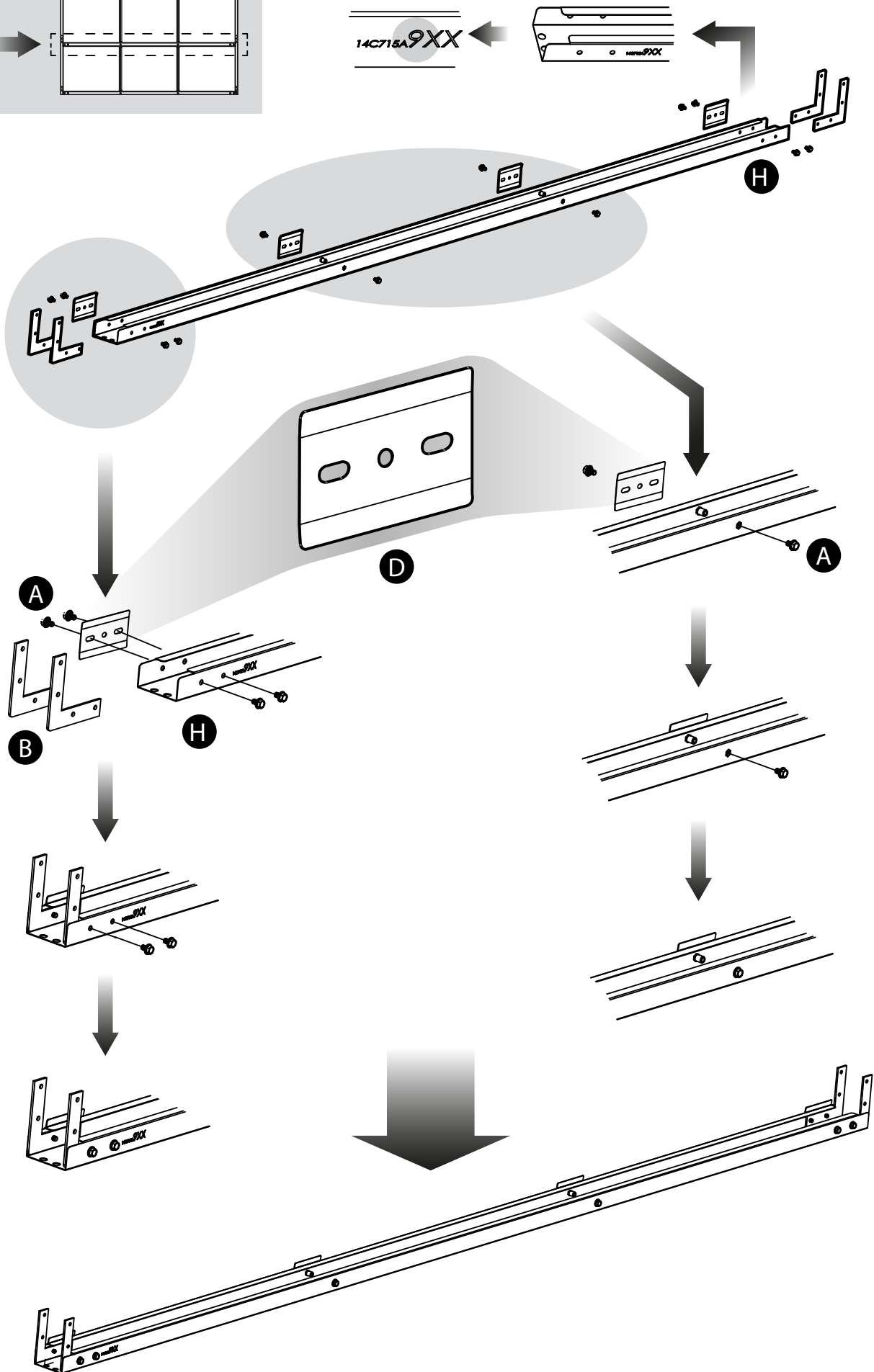


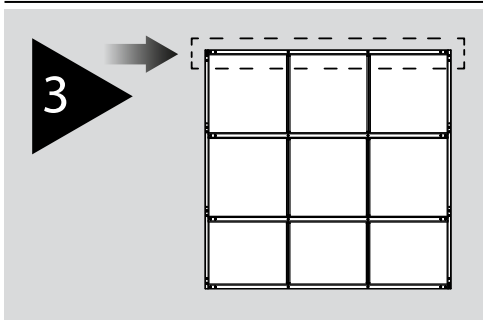
14C715A6X



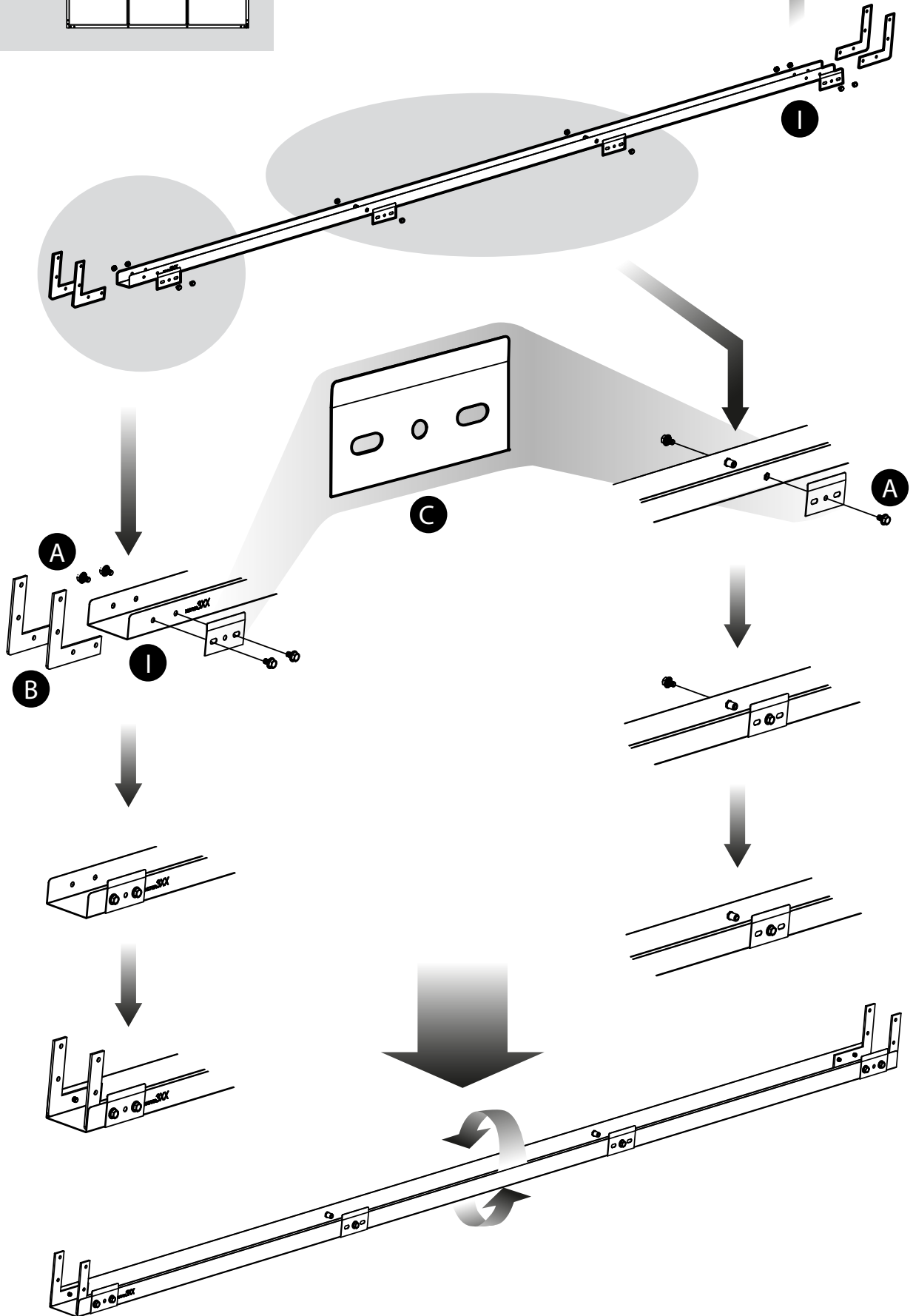
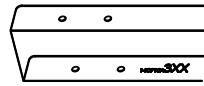


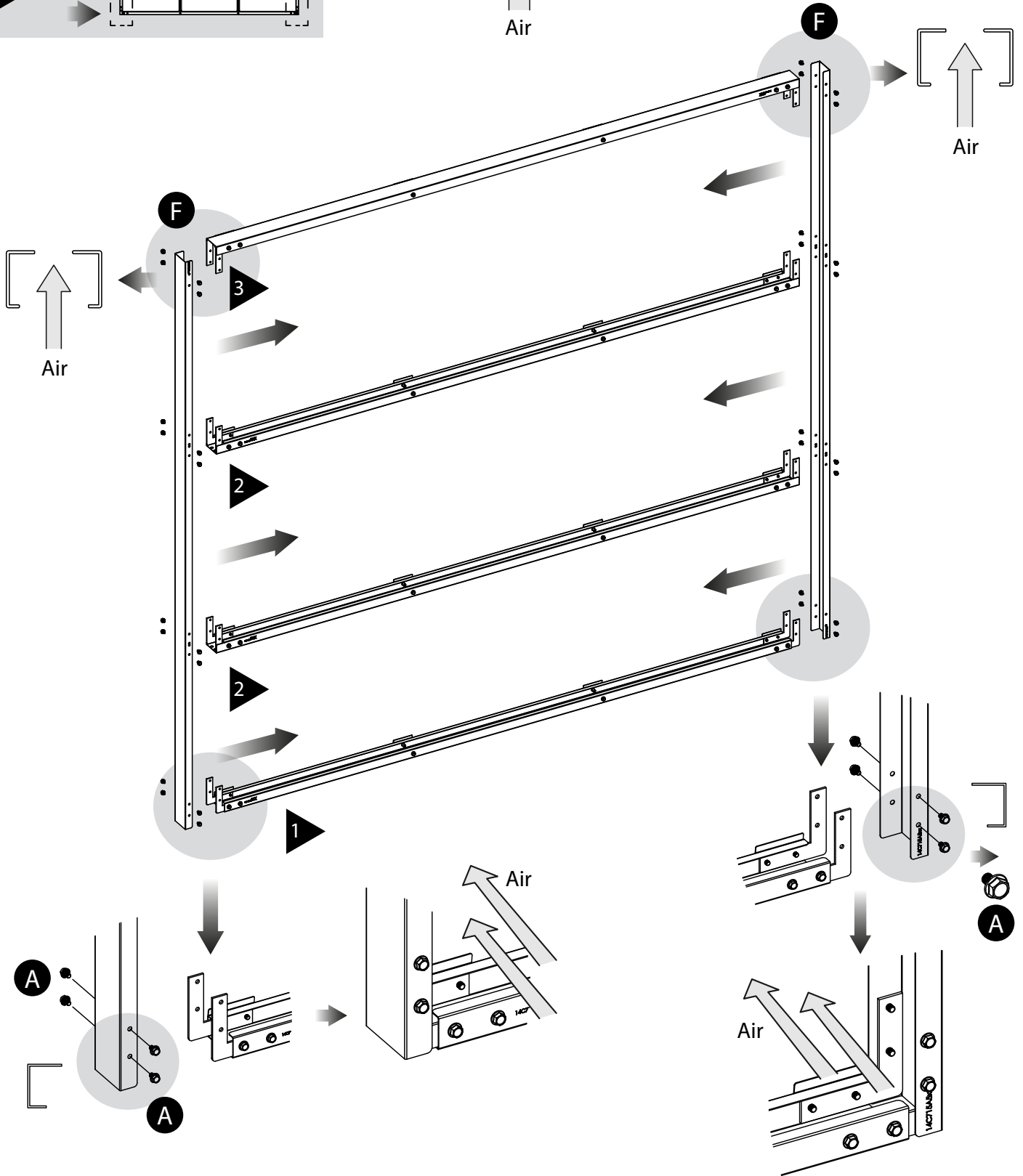
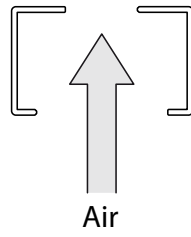
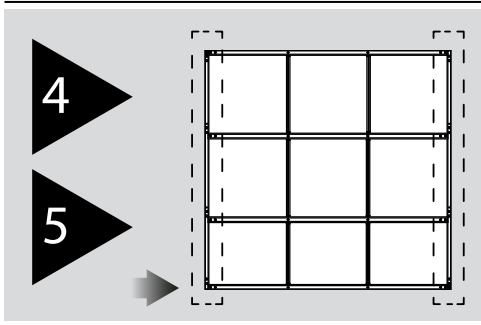
14C715A9XX

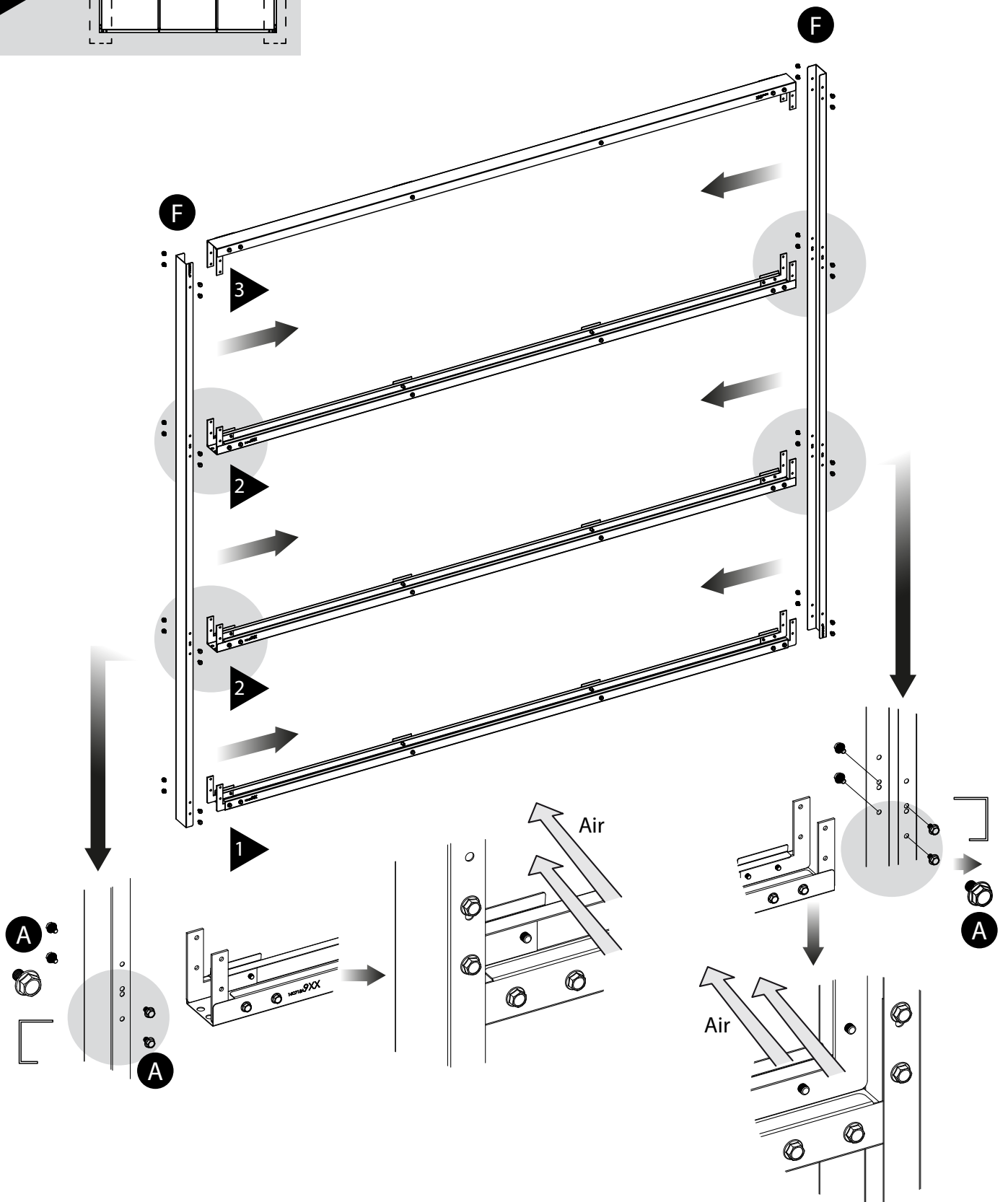
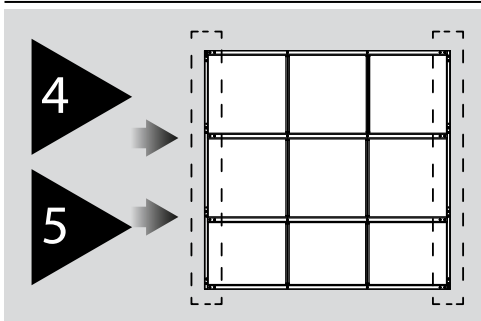


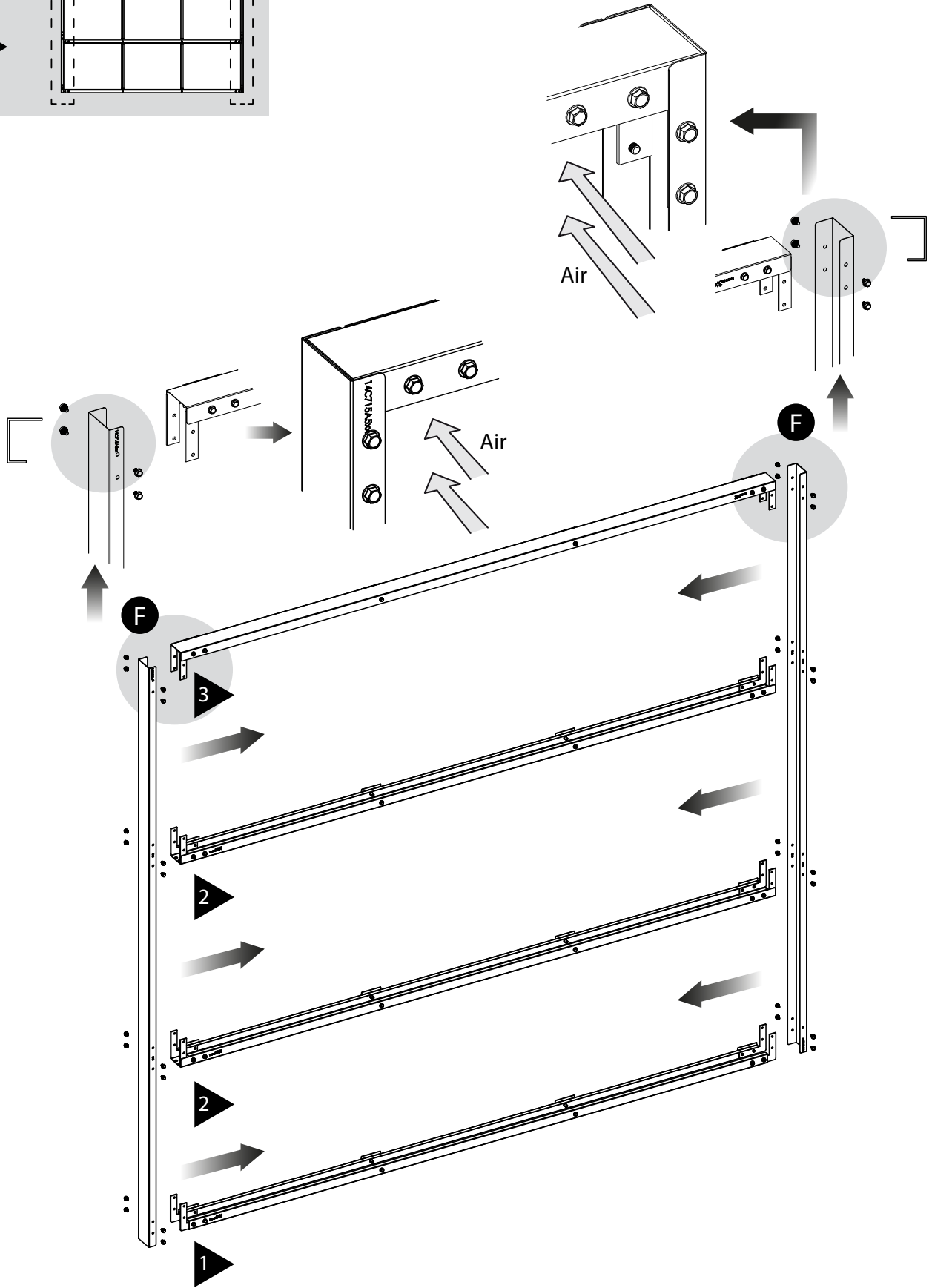
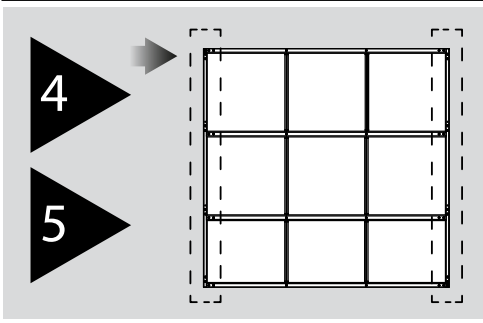


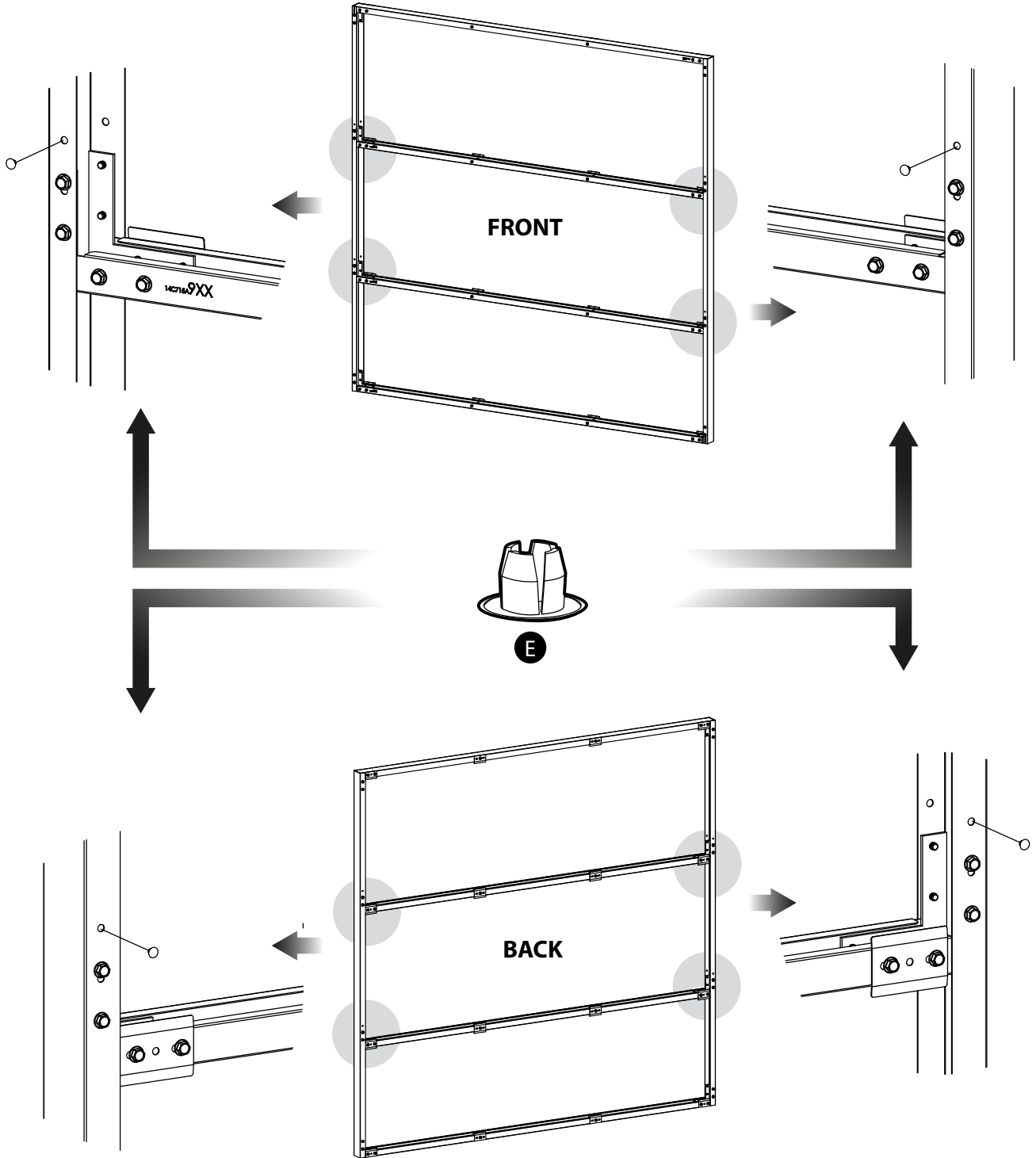
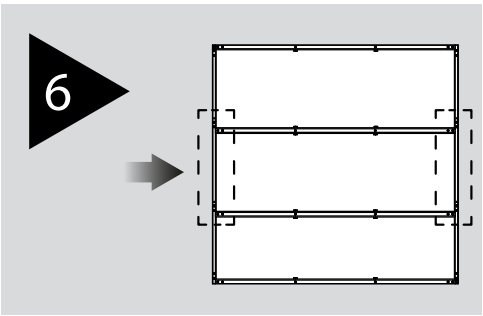
14C715A3XX

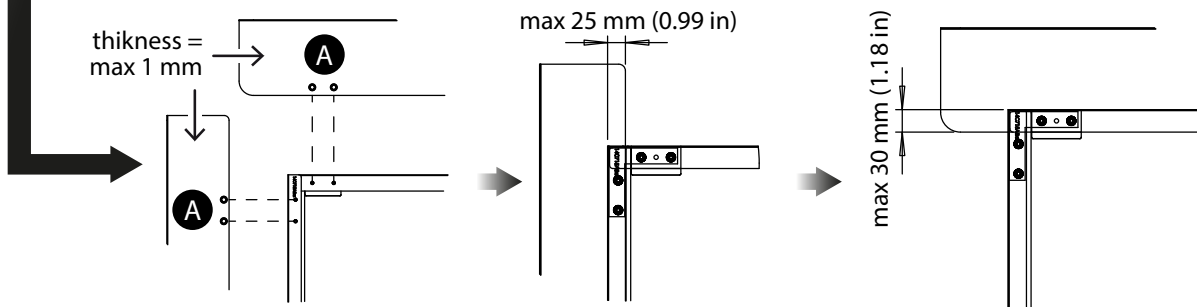
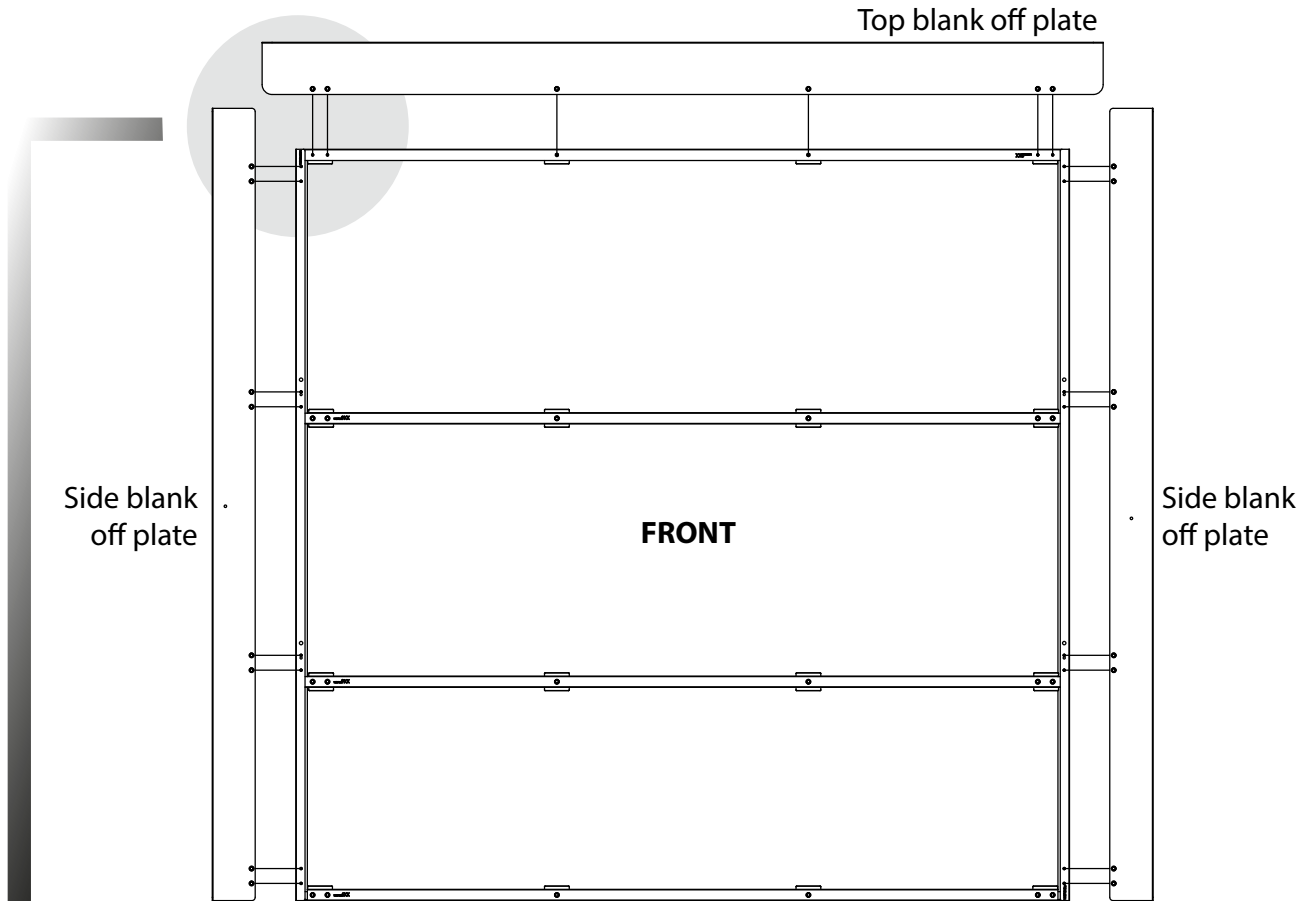
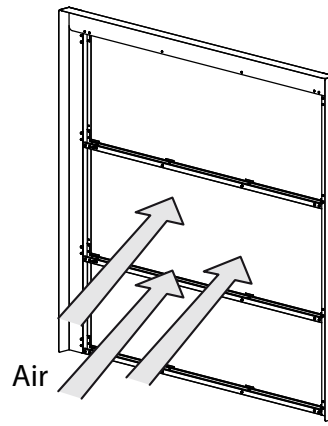
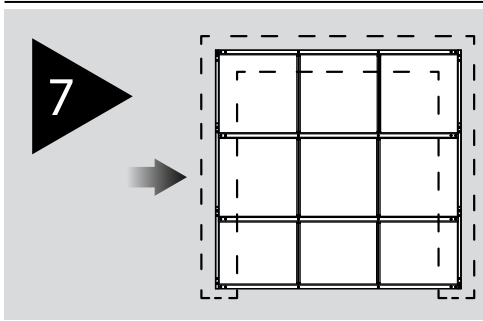




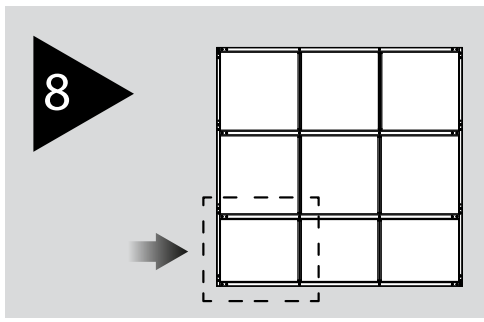




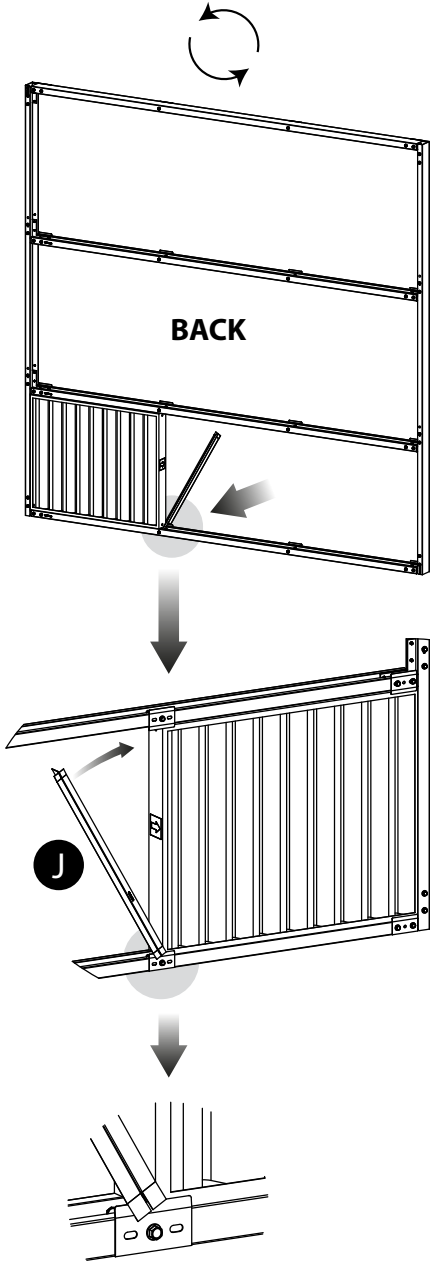




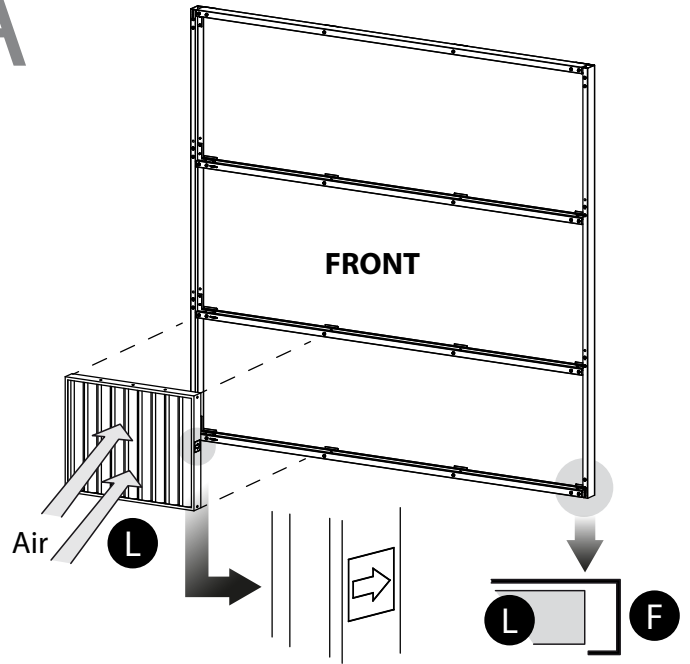
Blank-off plates between ECDS and AHU are NOT INCLUDED



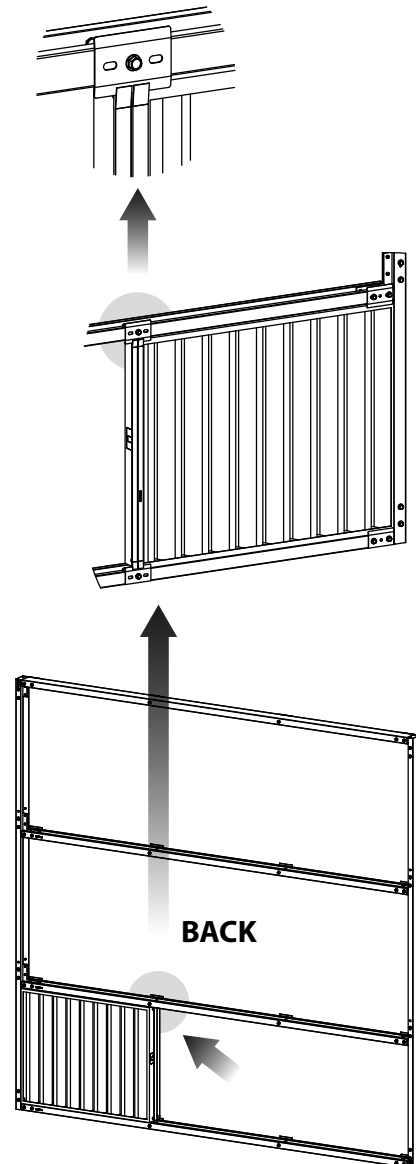
B

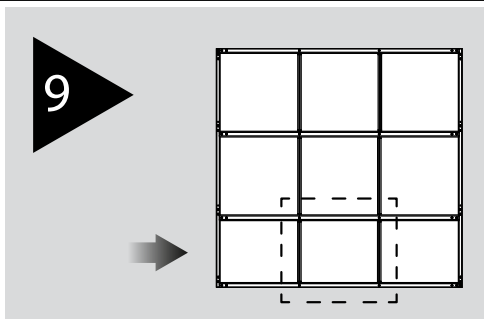


A

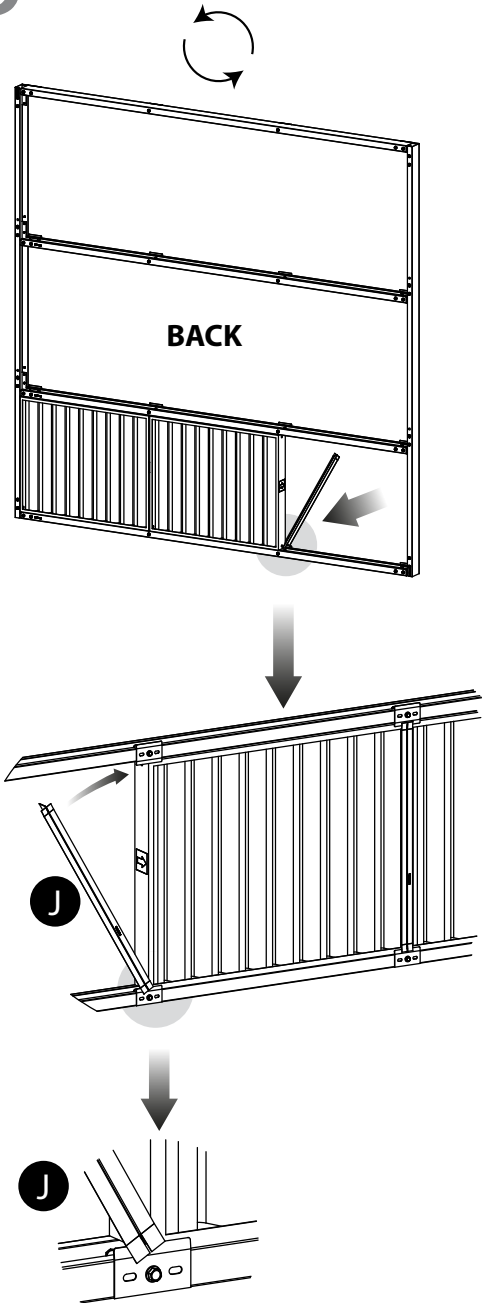


C

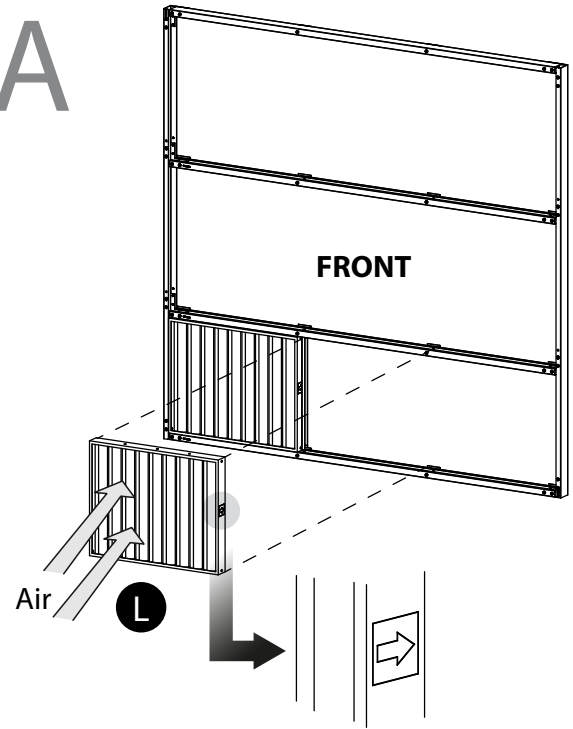




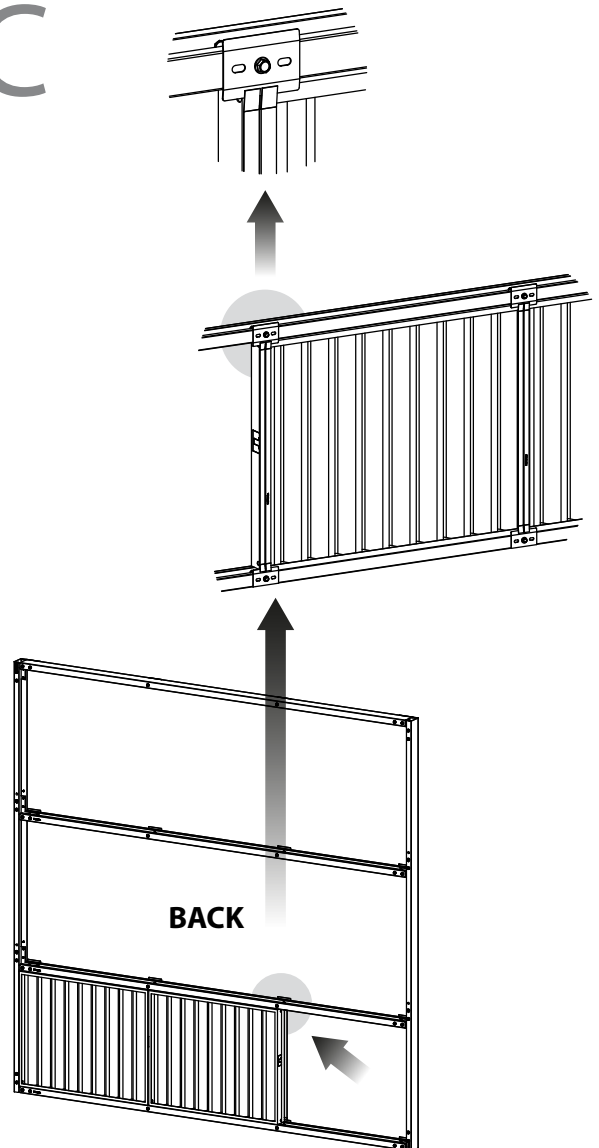
B

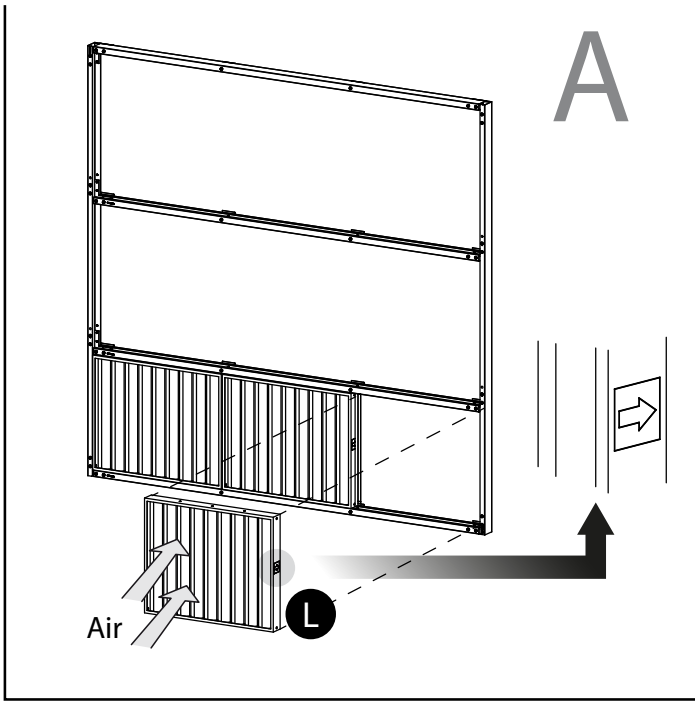
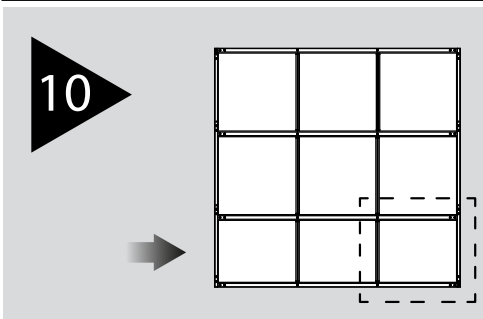


A



C





B

